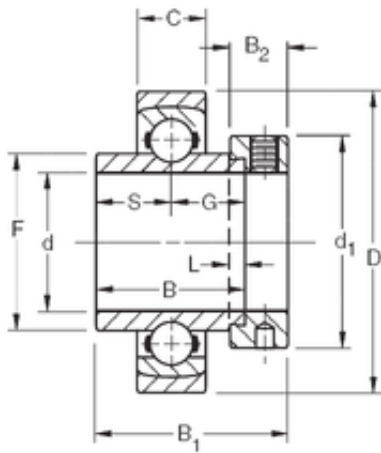




BEARING PRECISION AXLE CORP.

80,9625 mm x 190 mm x 80,96 mm TIMKEN SMN303KS Insert Bearings Spherical OD



Bearing No. SMN303KS

Size	80.9625x190x80.96 mm
Bore Diameter	80,9625 mm
Outer Diameter	190 mm
Width	80,96 mm
d	80,9625 mm
D	190 mm
B	80,96 mm
C	39 mm
d ₁	119,1 mm
B ₁	106,4 mm
B ₂	31,8 mm
F	106,91 mm
G	40,5 mm
L	6,4 mm
S	40,5 mm
Weight	8,04 Kg
Basic dynamic load rating (C)	137 kN

SMN303KS Bearing 2D drawings and 3D CAD models